

K-40 A•B K-42 C•D

CERAMIC MIXING CARTRIDGES
CONVENTIONAL SINGLE-LEVER TYPE
40 & 42 MM SIZES



MADE in the EUROPEAN UNION

TECHNICAL CHARACTERISTICS OF THE CERAMIC DISCS:

Material: Al_2O_3
Surface roughness Ra: 0.2 μm
Contact surface area: 50-80%

TECHNICAL CHARACTERISTICS OF THE CARTRIDGE:

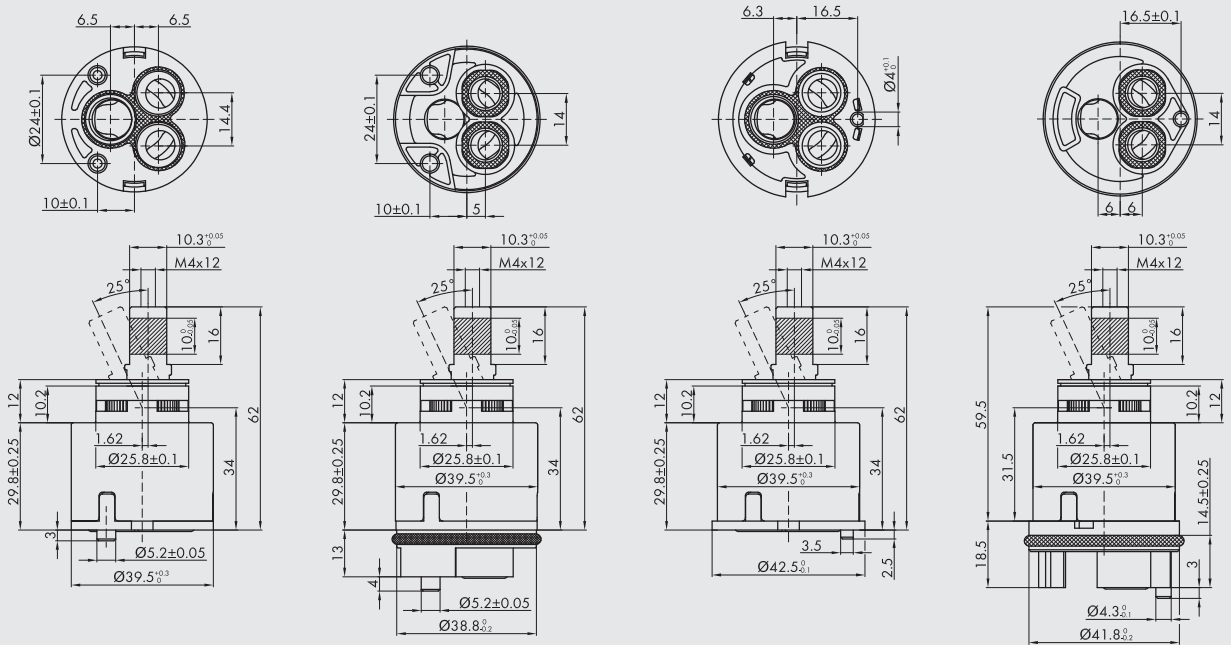
Opening angle:	25°
Mixing angle:	110°
Max. temperature:	90°C / 194°F
Recommended tightening torque:	12-13 Nm / 106-115 lbf•in
Pressure test:	
pneumatic	6 bar / 87 psi
hydraulic	35 bar / 500 psi
Flow rate:	(3 bar / 45 psi, test faucet, EN 817): 21 l/min / 5.5 gpm with resistance „C” 32 l/min / 8.4 gpm without resistance
Endurance test:	EN 817 70 000 cycles ASME A112.18.1 500 000 cycles

K-40 A • B

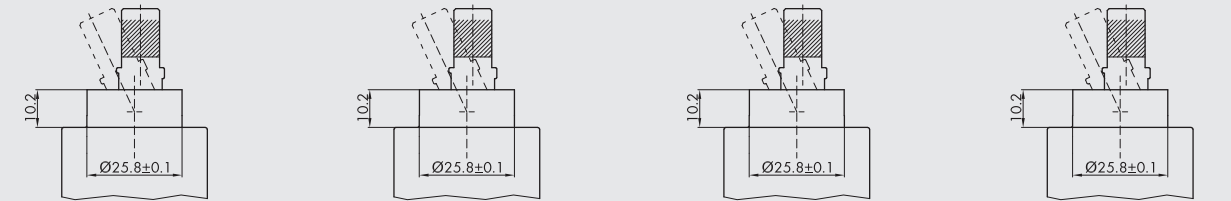
K-42 C • D

CERAMIC MIXING CARTRIDGES
CONVENTIONAL SINGLE-LEVER TYPE
40 & 42 MM SIZES

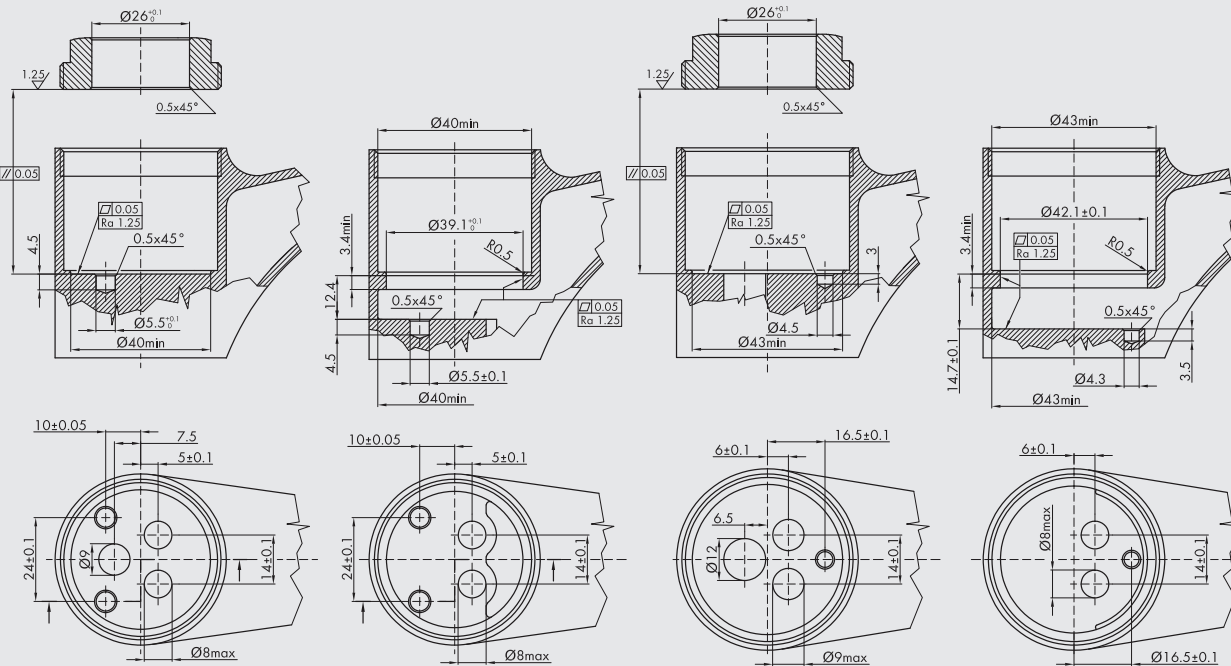
CARTRIDGES WITH HOT LIMIT RING & VOLUME LIMIT SCREW



CARTRIDGES WITHOUT HOT LIMIT RING & VOLUME LIMIT SCREW



BODIES



K - 40 A

K - 40 B

K - 42 C

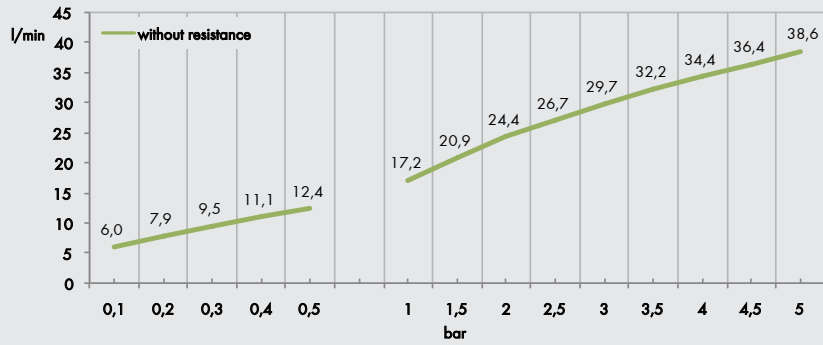
K - 42 D



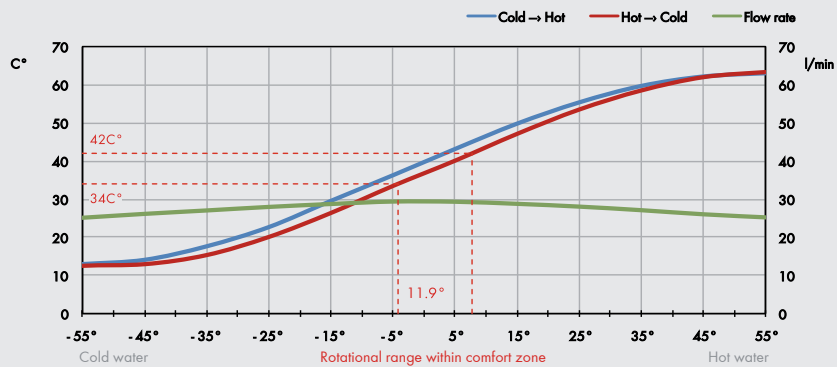
K-40 A • B K-42 C • D

CERAMIC MIXING CARTRIDGES
CONVENTIONAL SINGLE-LEVER TYPE
40 & 42 MM SIZES

FLOW RATE CURVE



FLOW RATE & HYSTERESIS CURVES



General requirements for nut and faucet:

1. Made of solid metal material instead of plastic
2. Usage of any lubricant on threads is not allowed
3. No sharp or burry sections at sealing surfaces
4. Recommended tightening torque is relevant to brass-brass connection with 1.5 mm thread pitch.

