

BSD-40B

CERAMIC BATH & SHOWER CARTRIDGE
SINGLE-LEVER TYPE

40 MM SIZE



MADE in the EUROPEAN UNION

ADVENTAGES

- It simplifies the design of the shower valve
 - No separate diverter mechanism
 - Cost reduction in faucet production
 - It provides easier, more intuitive operation
 - Easier cleaning
-
- Single-lever type cartridge with built-in shower diverter function.
 - Rotational travel is divided into bath and shower quadrants: In the right quadrant (bath mode), single lever action provides both temperature and volume control. In the left quadrant (shower mode), rotational action provides temperature control only.

TECHNICAL CHARACTERISTICS OF THE CERAMIC DISCS:

Material:	Al ₂ O ₃
Surface roughness Ra:	0.3 μm
Contact surface area:	50-70%

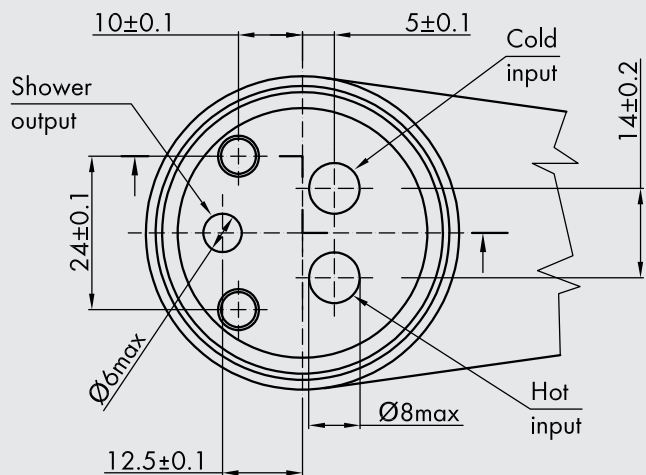
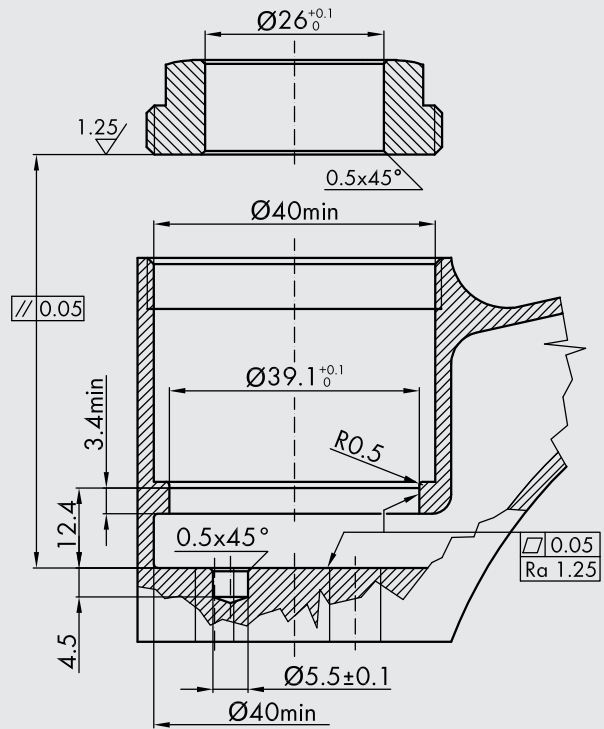
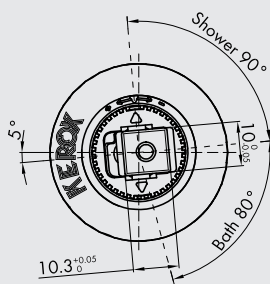
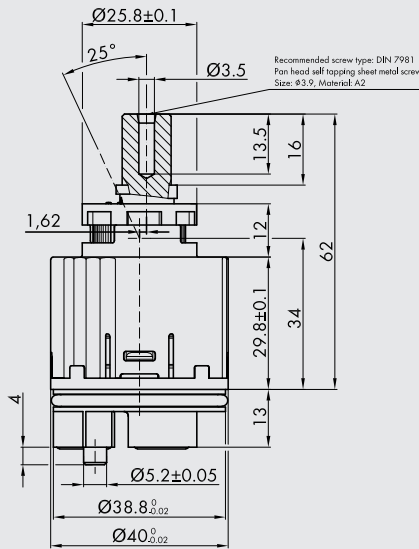
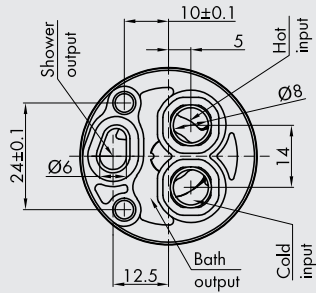
TECHNICAL CHARACTERISTICS OF THE CARTRIDGE:

Opening angle (in bath position only):	25°
Mixing angle in bath position:	80°
Mixing angle in shower position:	90°
Max. water pressure:	35 bar / 500 psi
Max temperature:	90°C / 194°F
Max. tightening torque:	12Nm / 106lbf•in
Pressure test:	
pneumatic	6 bar / 87 psi
hydraulic	35 bar / 500 psi
Flow rate:	(3 bar / 45 psi, test faucet, EN 817) 25.6 l/min / 6.7 gpm in bath position without resistance 11.8 l/min / 3.1 gpm in shower position without resistance
Endurance test:	EN 817 70 000 cycles ASME A 112.18.1 500 000 cycles

BSD-40B CERAMIC BATH & SHOWER CARTRIDGE

SINGLE-LEVER TYPE

40 MM SIZE



CARTRIDGE

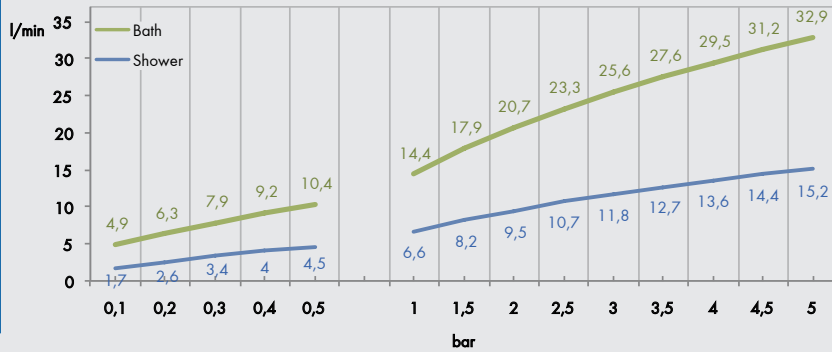
BODY



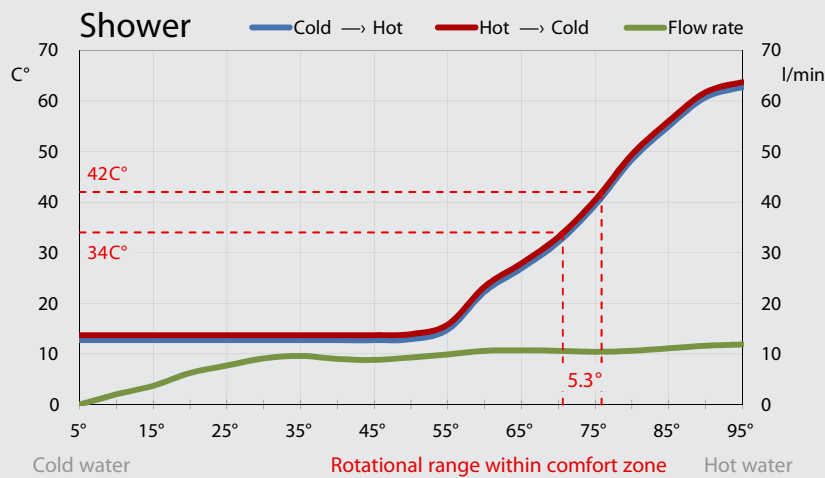
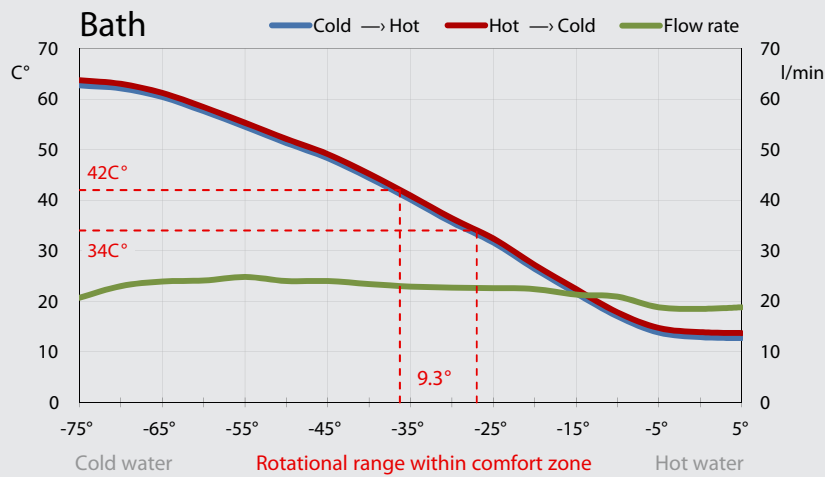
BSD-40B

CERAMIC BATH & SHOWER CARTRIDGE
SINGLE-LEVER TYPE
40 MM SIZE

FLOW RATE CURVES



FLOW RATE & HYSTERESIS CURVES



General requirements for nut and faucet:

1. Made of solid metal material instead of plastic
2. Usage of any lubricant on threads is not allowed
3. No sharp or burry sections at sealing surfaces
4. Recommended tightening torque is relevant to brass-brass connection with 1.5 mm thread pitch.



BSD-40B

CERAMIC BATH & SHOWER CARTRIDGE

SINGLE-LEVER TYPE

40 MM SIZE

SHOWER MODE ROTARY OPERATING



BATH FILLING MODE SINGLE LEVER OPERATING



General requirements for nut and faucet:

1. Made of solid metal material instead of plastic
2. Usage of any lubricant on threads is not allowed
3. No sharp or burry sections at sealing surfaces
4. Recommended tightening torque is relevant to brass-brass connection with 1.5 mm thread pitch.

