

A Strong Whirlpool Pump



## HA350 Pump

A Strong Whirlpool Pump

- High performance
- Dry run protection
- Silent running
- Both pneumatic and electronic use



**BALBOA**  
water group

## HA350, 0.55kW

ARTICLE NO.	POWER (P1)	V/HZ/A	SELF DRAIN	PNEUMATIC	CENTER SUCTION (W/ DRAIN CONNECTION)
22-35321*	0.55kW/0.7HP	220-240V 50Hz/2.7A	X	X	

## HA350, 0.68kW

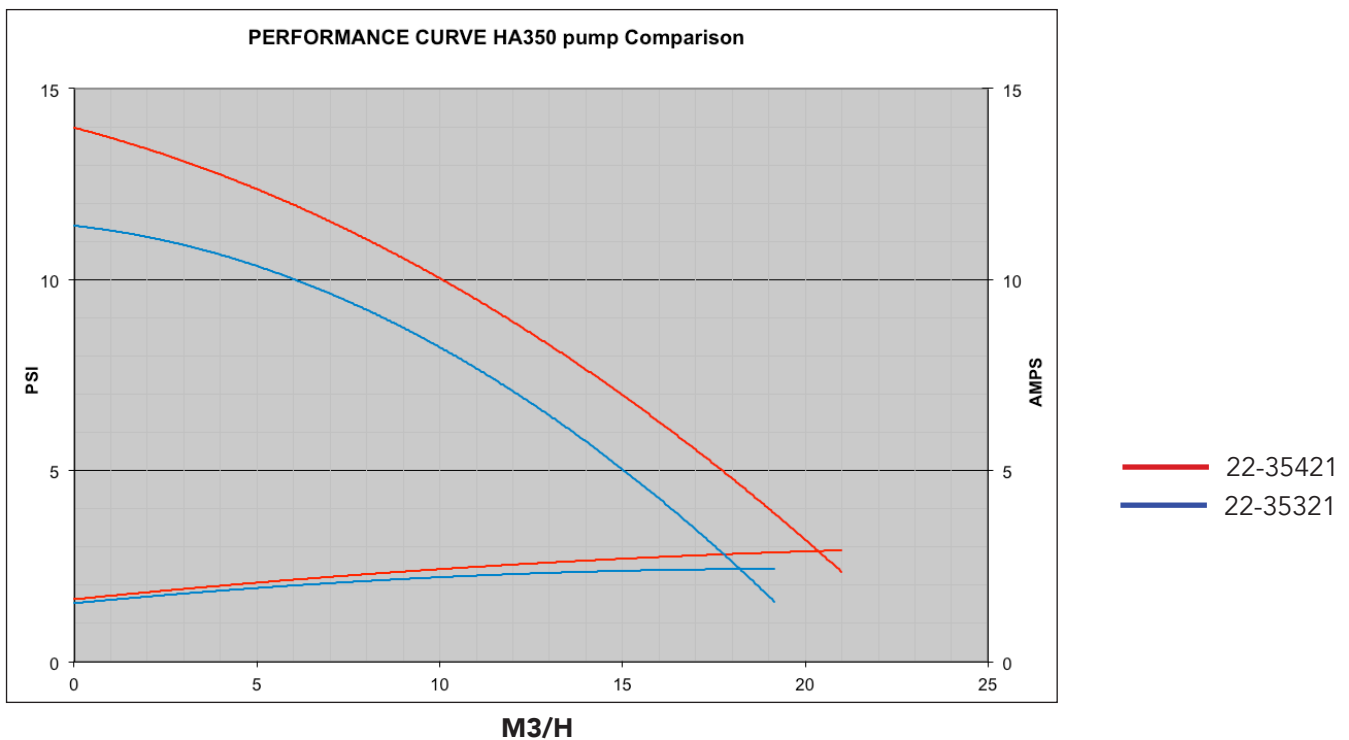
ARTICLE NO.	POWER (P1)	V/HZ/A	SELF DRAIN	PNEUMATIC	CENTER SUCTION (W/ DRAIN CONNECTION)
22-35421*	0.68kW/0.9HP	220-240V/ 50Hz/3.1A	X	X	
22-35221	0.68kW/0.9HP	220-240V/ 50Hz/3.1A		X	X

## HA350, 0.68kW DRY RUN

ARTICLE NO.	POWER (P1)	V/HZ/A	PNEUMATIC ONLY	SELF DRAIN	DRY RUN PROTECTION
22-35421DRP	0.68kW/0.9HP	220-240V/ 50Hz/3.1A	X	X	X

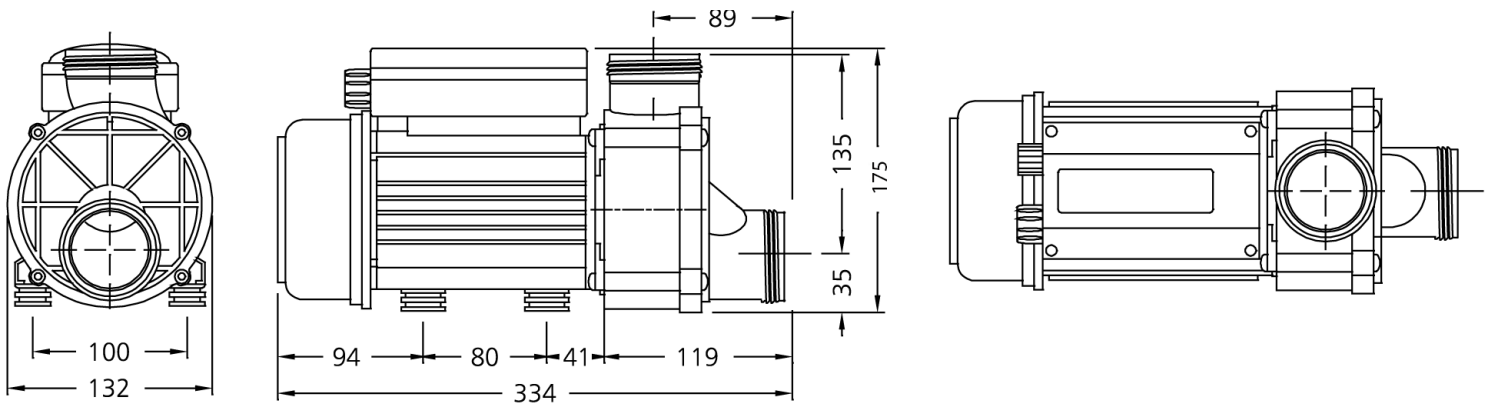
\* Available in bulk upon request 37-xxxxx. Replace Article No. 22 with 37 before ordering.

## PerformanceCurve

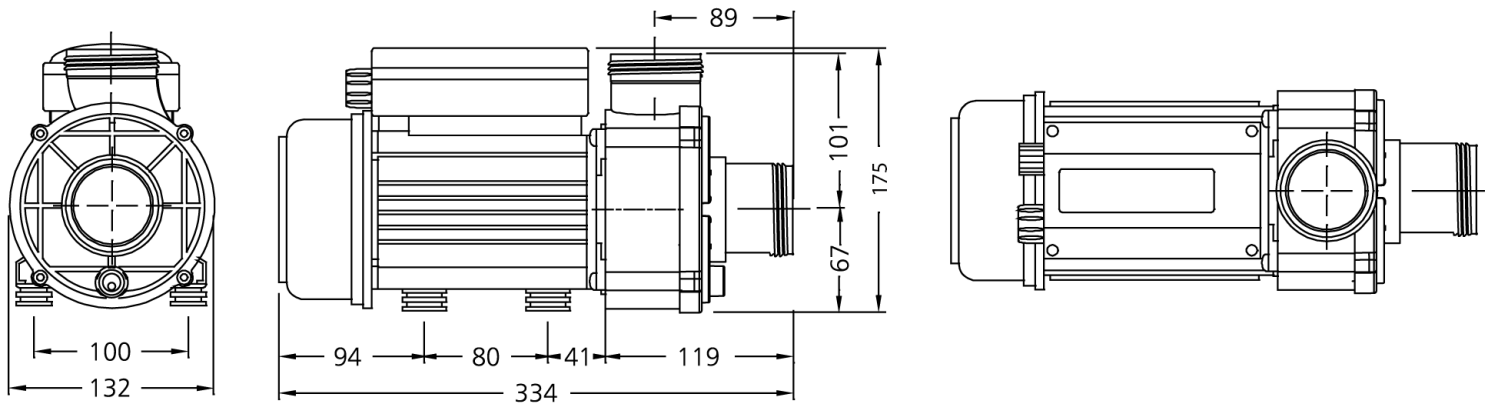


# PumpDimensions

Self-drain



Centre suction



Dimensions in mm

# Buttress Thread (2.50")

O-Ring mounted on union

## STANDARD GLUE CONNECTION

### PUMP UNION, STRAIGHT

92015M 50 mm I.D.

92015N 1 1/2" I.D.



### PUMP UNION WITH DISCHARGE TEE

92020M 2 X 32 mm I.D.

92020 2 x 1" I.D.

92030 2 x 26 mm O.D.



## Other Accessories

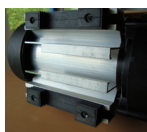
### STANDARD GLUE CONNECTION

Discharge Tee

20-0425 2 X 32 mm I.D. X 50



## Installation HA350



### Installing the Pump

The easy accessible rubber feet allow quick installation of the pump, by screwing 4 pcs. of M6 bolts up into the nuts, that are integrated in the rubber feet or use the one point mounting slot.